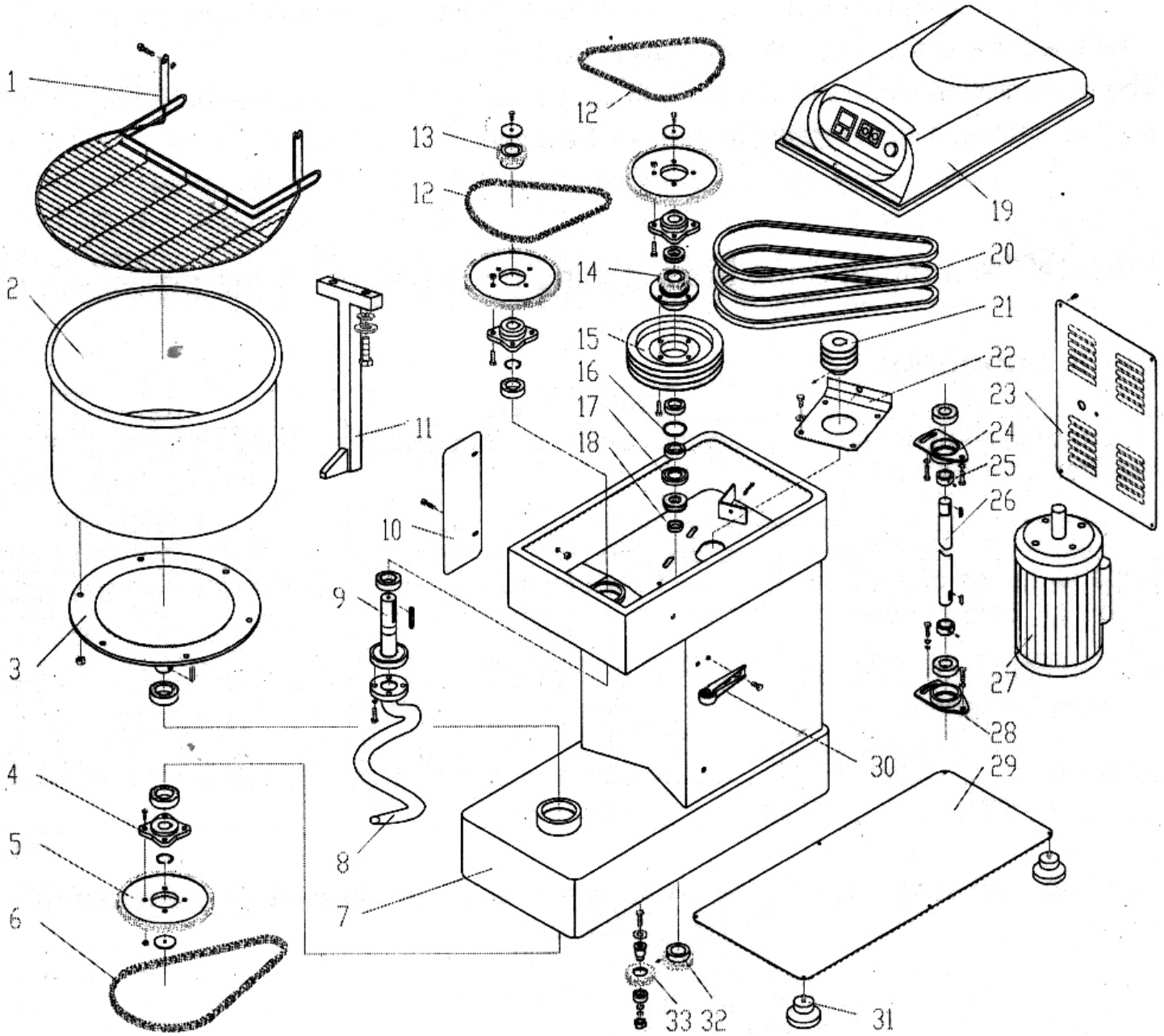


# Parts Breakdown

Model MX-CN-0037 19194



# Parts Breakdown

## Model MX-CN-0037 19194

Item No.	Description	Position	Item No.	Description	Position	Item No.	Description	Position
75463	Protective Casing for 19194	1	75475	Chain for Chain Pulley Z = 19 for 19194	13	75487	Locking Ring for 19194	25
75464	Bowl for 19194	2	75476	Chain Pulley Z = 19 for 19194	14	75488	Transmission Shaft for 19194	26
75465	Bowl Support for 19194	3	75477	Big Belt Pulley for 19194	15	75489	Motor for 19194	27
75466	Chain Seat for 19194	4	75478	Washer for 19194	16	75490	Bearing Seat for 19194	28
75467	Big Chain Pulley Z = 75 for 19194	5	75479	Washer for 19194	17	75491	Bottom Plate for 19194	29
75468	Chain for 19194	6	75480	Washer for 19194	18	75492	Guiding Wheel for 19194	30
75469	Frame for 19194	7	75481	Top Cover for 19194	19	75493	Rubber Foot for 19194	31
75470	Dough Arm for 19194	8	75482	Belt for 19194	20	75494	Bottom Pulley Z = 19 for 19194	32
75471	Shaft for 19194	9	75483	Small Belt Pulley for 19194	21	75495	Tension Pulley Z = 19 for 19194	33
75472	Protective Plate for 19194	10	75484	Motor Fixed Plate for 19194	22	27948	Push-Lock Turn-Reset Switch for 19194	
75473	Center Rod for 19194	11	75485	Back Cover for 19194	23	27945	Micro Computer Controller for 19194	
75474	Chain for 19194	12	75486	Bearing Seat for 19194	24			